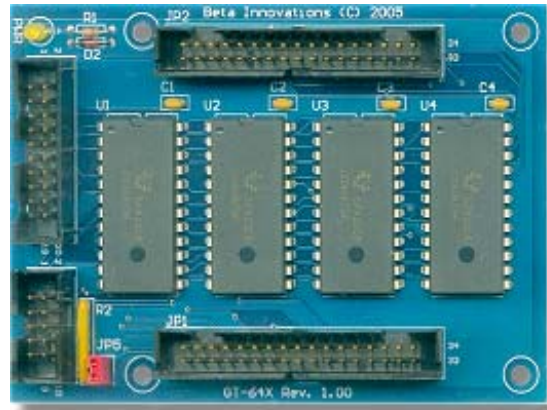


The GT-64X expansion card is designed to add an additional 64 digital inputs.

Hardware switches or digital circuitry can be connected and used in conjunction with compatible modules.

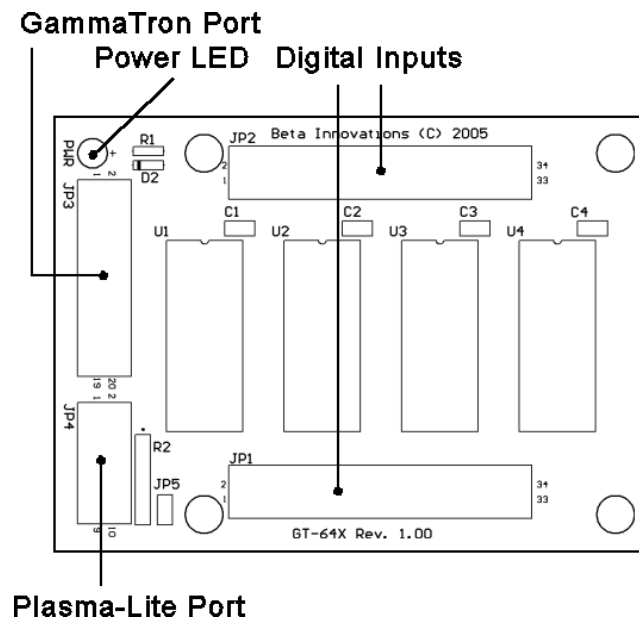


### Features:

- Compatible with GammaTron™ & Plasma-Lite™ V2 USB adapters.
- 2 digital ports, 32 bits each.
- 64 digital inputs

### Application:

The GT-64X expansion card adds an additional 64 digital inputs and requires no configuration. These additional button inputs will appear following standard compliment of button inputs.



Visit [www.betainnovations.com](http://www.betainnovations.com) for the availability of expansion modules and accessories.