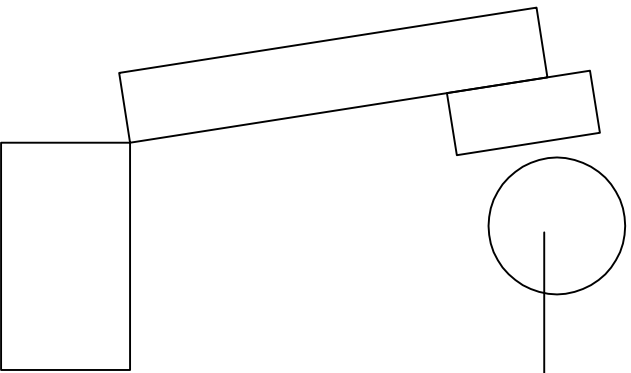
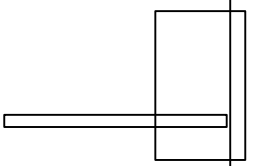


FOCAL POINT



FOCAL POINT



FRESNELL  
LENS

